



NORITZ America Corporation

Hybrid Hot Specification

Application

The Hybrid Hot Series of water heaters is designed for a wide range of residential and commercial applications. Ideally suited for light commercial applications (e.g. Commercial Kitchens) where space is limited but require heavy water heating loads or heavier commercial applications by pairing up to 6 Hybrid Hot water heaters in a single application. Separating the heating source from the tank allows for easier service and superior product longevity.



Features

- Highly efficient, compact design
- Flexible Installation (2" PVC/CPVC/PP)
- Common Vent Capable (Link up to 6 Hybrid Hots to a single venting system)
- Digital pump controller
- High performance pump for maximum recovery rate
- Fully modulating burner with input range from 18,000 BTU/hr – 199,900 BTU/hr
- Ratings Certified By AHRI: 0.95 UEF
- Ratings Not Certified by AHRI: 98% Thermal Efficiency

Tank Features

- Cement Lined Tank for superior corrosion resistance and reduced maintenance
- Integrated Heat Trap to reduce heat loss and improve efficiency
- 2" Polyurethane foam insulation
- 3/4" MNPT port for easy connection to recirculation lines
- Brass Drain Valve
- Pre-installed T&P Relief Valve

Warranty & Approvals

- AHRI, ANSI Z21.10.3, CSA 4.3, Low Lead, SCAQMD 14 ng/J (20 ppm) Emission Levels
- Heat Exchanger: 10 years*
- Storage Tank: 5 years
- Other parts: 5 years
- Reasonable Labor: 1 year

Optional Accessories

- Universal Concentric Vent Kit (PVC-UCVK)
- Low Profile Termination Kit (PVC-_LPT)
- PVC Concentric Termination (PVC-_CT)
- 3" Horizontal Hood Termination (PVT-HL)
- SV Conversion Kit (SV-CK-2)
- Bird screen (VT_-PVCS)
- System Controller (SC-401-6M)
- Neutralizer (NC-1W)
- Neutralizer for up to 16 unit (NT-20A)



*Refer to Warranty card for full warranty details



NORITZ America Corporation


Specifications

Model		NHH199100	
Appliance Type		NCC199CDV (GQ-C3260WZ-FF US) Tankless Water Heater paired with Insulated Storage Tank, Pump and Controller	
Installation Type		Indoor Only	
Ignition Type		Direct Electronic Ignition	
Product Weight		544 lb (247 kg)	
Shipping Weight		650 lb (295kg)	
Gas Consumption		Minimum: 18,000 Btu/hr (5.2 kW)	Maximum: 199,900 Btu/hr (58.3 kW)
Gas Supply Pressure Range		NG: 3.5" – 10.5" w.c.	LP: 8.0" – 14" w.c.
Water Holding Capacity		119 Gallons (450 L)	
Water Temperature Setting		100 °F - 185°F	
Connection Size	Cold Water Supply	1 ½" NPT	
	Hot Water Supply	1 ½" NPT	
	Recirculation Return Connection	¾" NPT	
	Condensate Drain	½" NPT	
	Gas Supply	¾" NPT	
Power Consumption	Supply	120 VAC (60 Hz)	
	Normal Operation	NG: 263W	LP: 247W
	Standby	5 W	
	Freeze Protection	114 W	
	Max Amp	2.1 A	
Vent Type		Direct Vent (-SV Convertible)	
Vent Category		Category IV	
Vent Connection Size		2 in.	
Common Vent Capable		Up to 6 units	
Noise level		52 dB	
Complies with SCAQMD 14 ng/j (20 ppm) NOx Emission Levels		Yes	



NORITZ America Corporation

Performance

Approved Gas Types	Natural Gas or Propane	
Efficiency		0.95 UEF
	Ratings not Certified by AHRI	98% Thermal Efficiency
First Hour Rating**	317 GPH	

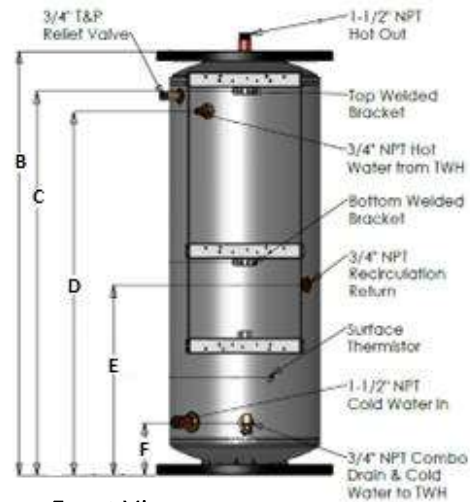
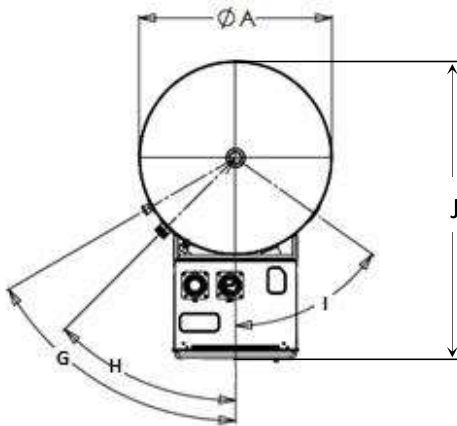
**First hour rating is a calculation based on 100°F temperature rise, with recovery capacity plus 70% usable tank volume .

Recovery Capacity

Product	Approx. Tank Capacity	Max Input (Btu/hr)	GPH (LPH) vs Temperature Rise											
			30°F 17°C	40°F 22°C	50°F 28°C	60°F 33°C	70°F 39°C	80°F 44°C	90°F 50°C	100°F 56°C	110°F 61°C	120°F 67°C	130°F 72°C	140°F 78°C
NHH199100	119 gal	199,900	780	585	468	390	334	292	260	234	213	195	180	167
	450L		2953	2214	1771	1476	1264	1105	984	886	806	738	681	632

Dimensions

<Top View>



<Front View>

Model	A	B	C	D	E	F	G	H	I	J
	Diameter	Total Height	Height to T&P	Height Hot Water Inlet from TWH	Height to Recirculation Return	Height to Cold Water Inlet & Inlet to TWH	Angle of T&P	Angle of Tank Cold Inlet	Angle of Recirculation Return	Depth from back of tank to front of tankless
NHH199100	28.0	67.75	60.375	58.125	30.375	8.375	60	45	55	43.5