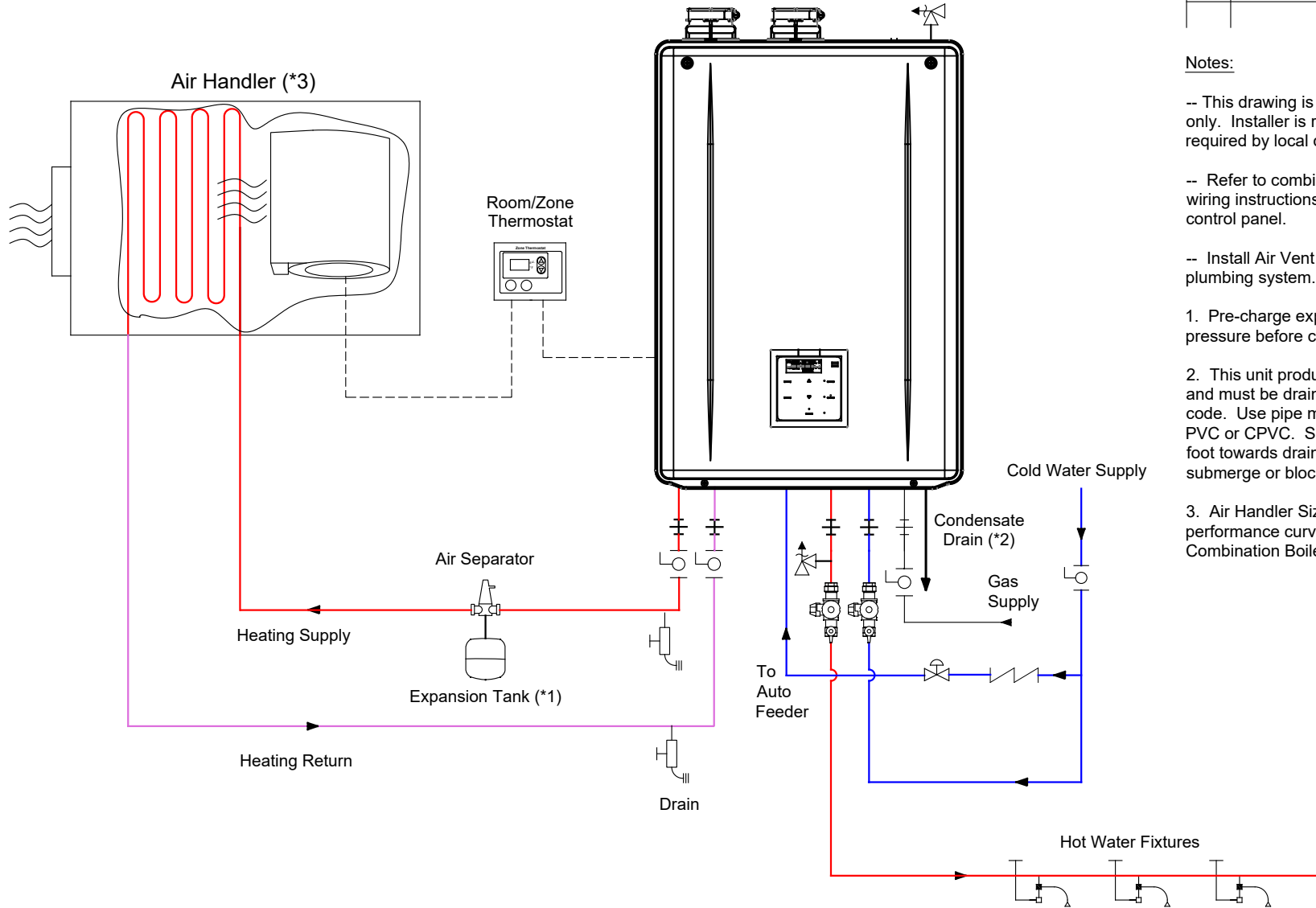


REVISIONS

REV.	DESCRIPTION	DATE	APPRVD.

Notes:

- This drawing is meant to show system piping concept only. Installer is responsible for all equipment & detailing required by local codes.
  - Refer to combi boiler installation manual for electrical wiring instructions and activating Heating modes with the control panel.
  - Install Air Vent at highest point in Heating Loop plumbing system.
1. Pre-charge expansion tank to heating system pressure before connecting to heating system piping.
  2. This unit produces acidic condensate during operation and must be drained and disposed according to local code. Use pipe material that will not corrode such as PVC or CPVC. Slope horizontal pipe downwards 1/4' per foot towards drain or condensate pump. Do no submerge or block end of drain pipe.
  3. Air Handler Sizing: Refer to the Internal pump performance curve located on page 27 of the Combination Boiler installation manual.



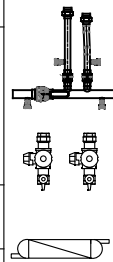
**NORITZ**  
 11160 Grace Avenue  
 Fountain Valley, California 92708  
 866-7NORITZ (866-766-7489)  
 www.noritz.com

**MODEL:**  
 NRCB180 / NRCB199

**APPLICATION:**  
 Air Handler-Single Zone  
 Domestic Hot Water

**DRAWING NUMBER:**  
 NRCB-AirHandler-IntPump

**DRAWING DATE:**  
 December 2018



**Noritz Accessories**

Primary/Secondary Manifold Kit  
 (# MK-NRCB-1)

DHW Isolation Kit w/  
 Pressure Relief  
 3/4" (# IK-WV-200-1-[Th or SW])

Residential Neutralizer  
 (# NC-1)

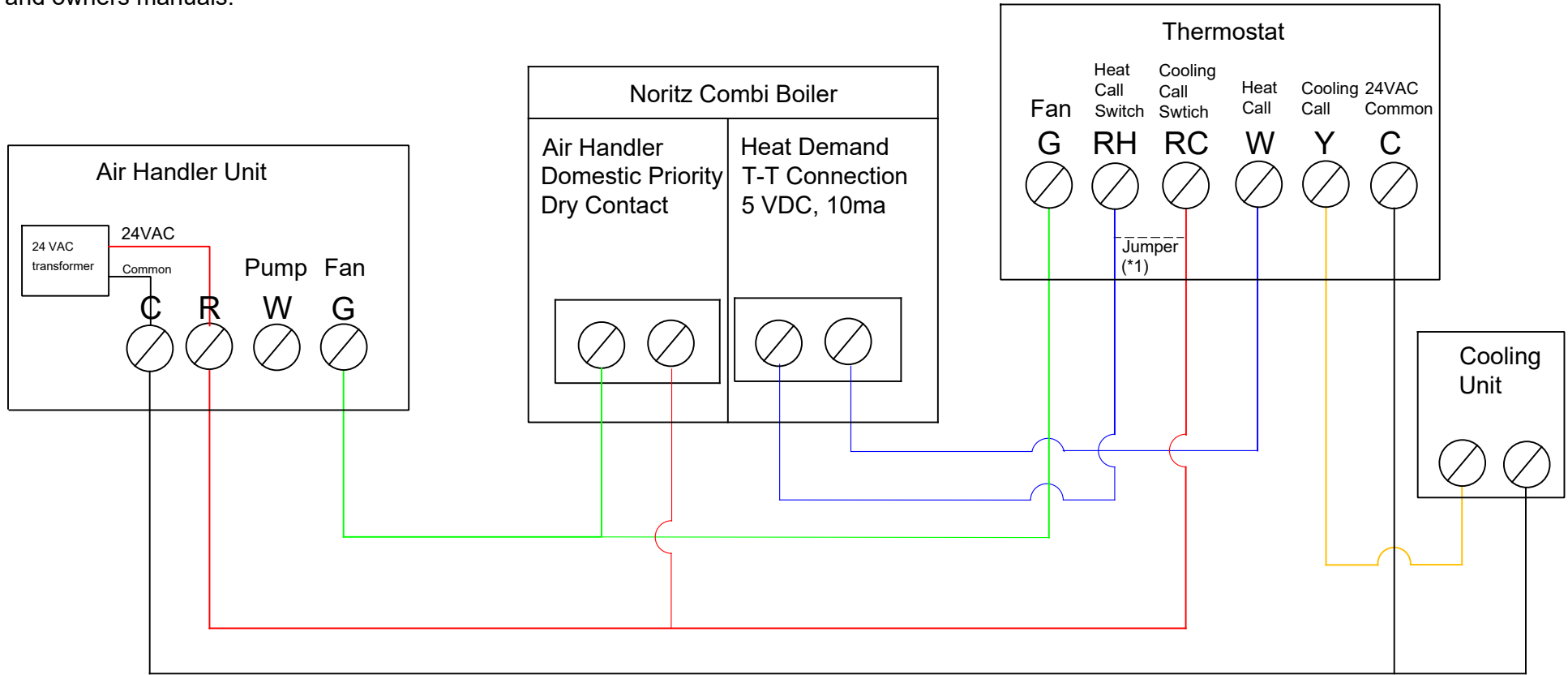
*Note: This diagram is for reference only. Installation must comply with State and Local Code, all gas and water pipe must be sized correctly to specific length, according to accepted engineering methods or the UPC Code for Noritz Water Heaters to operate correctly.*

- Shut-off Ball Valve
- Check Valve
- Union
- Pressure Relief Valve
- Aquastat (Honeywell Model #L6006A or L6006C)
- Pump
- Pressure Regulator
- Backflow Preventer

Notes:

1. Remove factory jumper at thermostat (RH to RC) for two transformer systems. Failure to do so will damage the Combi-Boiler circuit board.
2. Program the thermostat so that the Combi Boiler controls the air handler fan during heating. Otherwise, the air handler fan will NOT deactivate during domestic hot water demand and cold draft will occur.
3. Follow all other Combi-Boiler setup and configuration parameters detailed in the installation and owners manuals.

REVISIONS			
REV.	DESCRIPTION	DATE	APPRVD.



MODEL: NRCB180 / NRCB199  
CB180 / CB199

APPLICATION:  
Combi Boiler & Air Handler  
(Heating & Air Conditioning)

DRAWING NUMBER:  
Combi-Wire-AHU&AC

DRAWING DATE:  
December 2018

Noritz Accessories

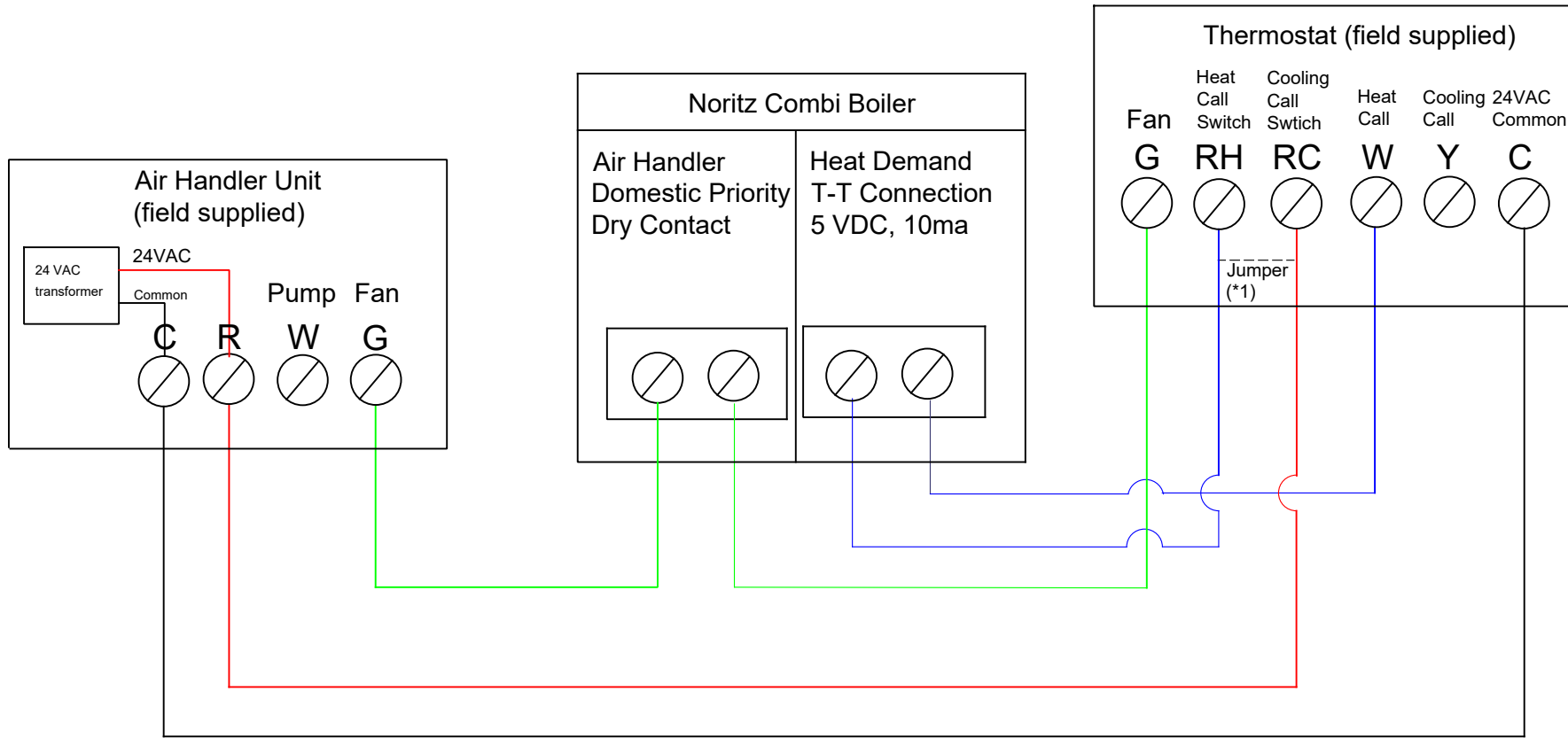
Note: This diagram is for reference only. Installation must comply with State and Local Code, all gas and water pipe must be sized correctly to specific length, according to accepted engineering methods or the UPC Code for Noritz Water Heaters to operate correctly.

**Notes:**

1. Remove factory jumper at thermostat (RH to RC) for two transformer systems. Failure to do so will damage the Combi-Boiler circuit board.

2. Follow all other Combi-Boiler setup and configuration parameters detailed in the installation and owners manuals.

REVISIONS			
REV.	DESCRIPTION	DATE	APPRVD.



MODEL: NRCB180 / NRCB199 CB180 / CB199
APPLICATION: Combi Boiler & Air Handler (Heating only)
DRAWING NUMBER: Combi-Wire-AHU
DRAWING DATE: December 2018

Noritz Accessories

Note: This diagram is for reference only. Installation must comply with State and Local Code, all gas and water pipe must be sized correctly to specific length, according to accepted engineering methods or the UPC Code for Noritz Water Heaters to operate correctly.