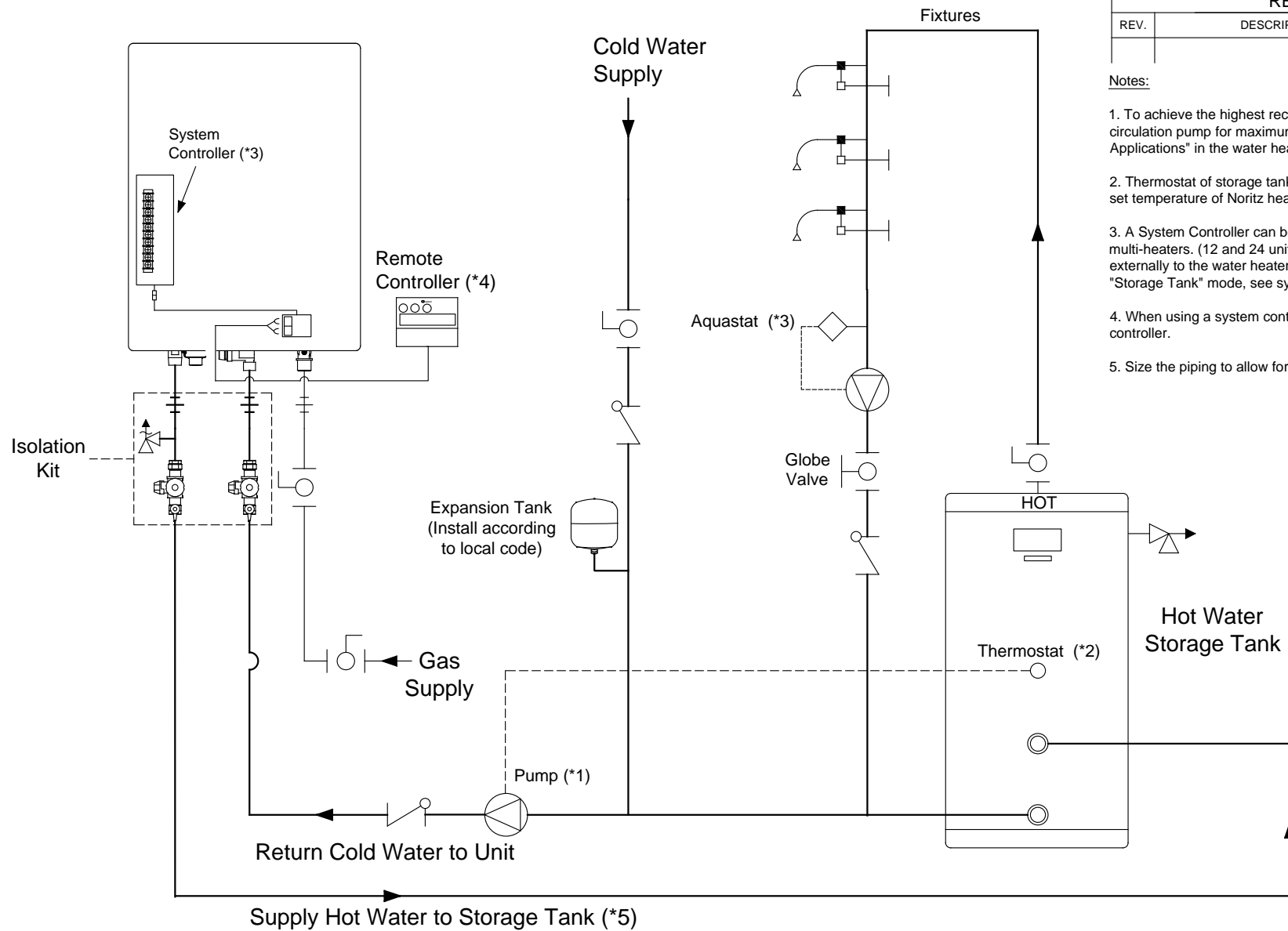


REVISIONS

REV.	DESCRIPTION	DATE	APPRVD.

Notes:

- To achieve the highest recovery, size the storage tank circulation pump for maximum capacity. See "Plumbing Applications" in the water heater installation manual.
- Thermostat of storage tank should be set 10°F below the output set temperature of Noritz heater.
- A System Controller can be used to connect up to 6, 12, or 24 multi-heaters. (12 and 24 unit System Controllers are mounted externally to the water heaters). Configure System Controller for "Storage Tank" mode, see system controller installation manual.
- When using a system controller, use only a single remote controller.
- Size the piping to allow for the maximum flow rates of the units.



11160 Grace Avenue
Fountain Valley, California 92708
866-7NORITZ (866-766-7489)
www.noritz.com

MODEL:	Commercial Non Condensing
APPLICATION:	Domestic Hot Water Recirculation Single-System Storage Tank
DRAWING NUMBER:	NC-ST-REC
DRAWING DATE:	November 2018



Noritz Accessories

System Controller, for multi-heater, up to 6, 12 or 24 units (see water heater spec sheet for applicable system controller model #)



Isolation Kit w/ Pressure Relief 3/4" (# IK-200-WV-1-[TH or SW]) 1" (# IK-300-WV-1-[TH or SW])

Note: *This diagram is for reference only. Installation must comply with State and Local Code, all gas and water pipe must be sized correctly to specific length, according to accepted engineering methods or the UPC Code for Noritz Water Heaters to operate correctly.*

Shut-off Ball Valve	Aquastat (Honeywell Model #L6006A or L6006C)
Check Valve	Pump
Union	Mixing Valve
Pressure Relief Valve (Watts 174A, Zurn P3000BR, Cash Acme F-82)	Thermal Expansion Tank