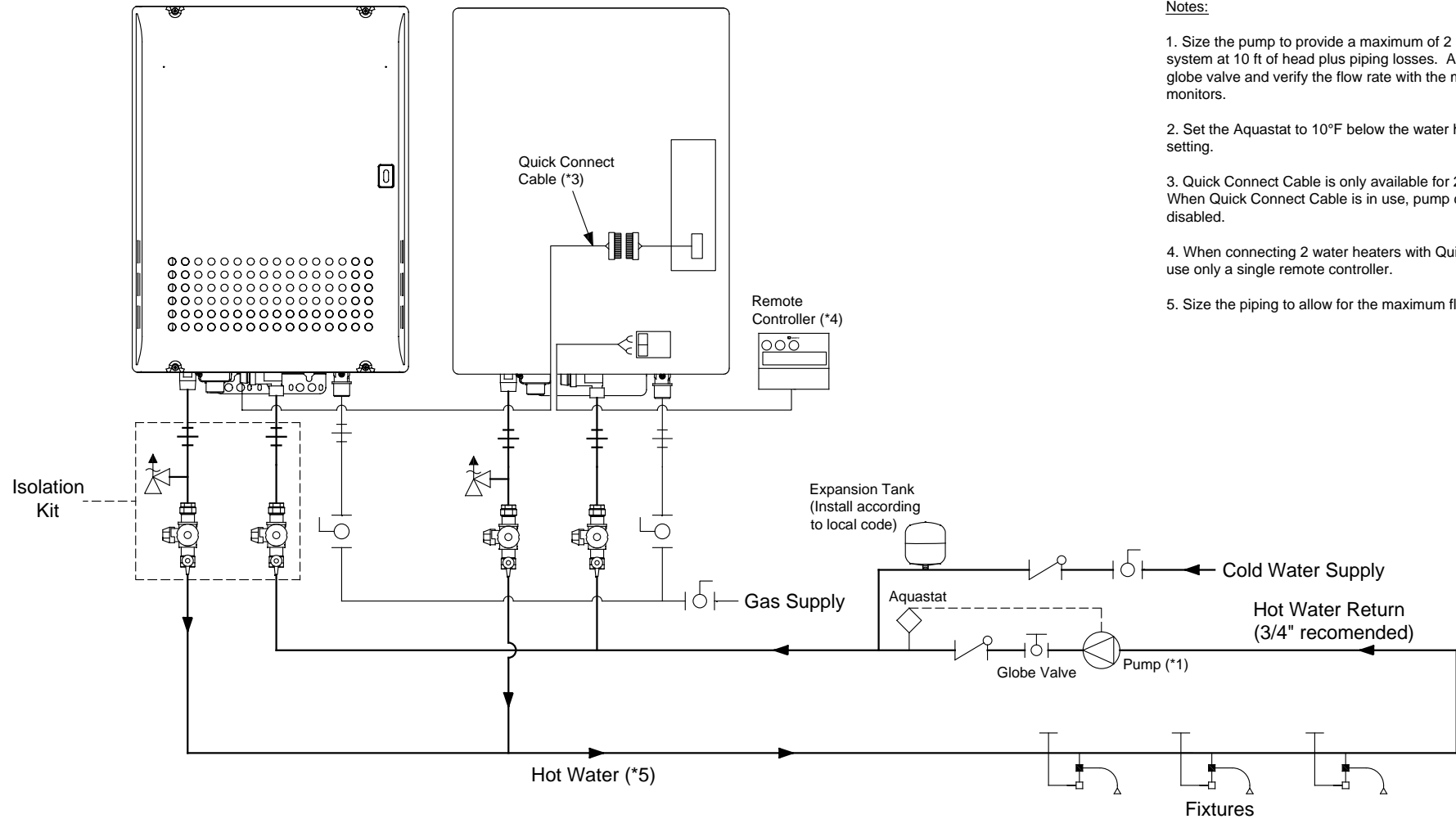


REVISIONS

REV.	DESCRIPTION	DATE	APPRVD.

Notes:

1. Size the pump to provide a maximum of 2 GPM through the system at 10 ft of head plus piping losses. Adjust the flow using a globe valve and verify the flow rate with the maintenance monitors.
2. Set the Aquastat to 10°F below the water heater temperature setting.
3. Quick Connect Cable is only available for 2 unit Multi-System. When Quick Connect Cable is in use, pump control feature is disabled.
4. When connecting 2 water heaters with Quick Connect Cable, use only a single remote controller.
5. Size the piping to allow for the maximum flow rates of the units.



11160 Grace Avenue
 Fountain Valley, California 92708
 866-7NORITZ (866-766-7489)
 www.noritz.com

MODEL: Commercial Non Condensing
APPLICATION: Domestic Hot Water Quick Connect System Recirculation
DRAWING NUMBER: NC-QC-REC
DRAWING DATE: November 2018

Noritz Accessories

- Isolation Kit w/ Pressure Relief
 3/4" (# IK-WV-200-1-[TH or SW])
 1" (# IK-300-1-[TH or SW])
- Quick Connect Cable, for 2 unit
 (# QC-1 [for NC380])
 (# QC-2 [for all other])

Note: This diagram is for reference only. Installation must comply with State and Local Code, all gas and water pipe must be sized correctly to specific length, according to accepted engineering methods or the UPC Code for Noritz Water Heaters to operate correctly.

- Shut-off Ball Valve
- Check Valve
- Union
- Pressure Relief Valve (Watts 174A, Zurn P3000BR, Cash Acme F-82)
- Aquastat (Honeywell Model #L6006A or L6006C)
- Pump
- Mixing Valve
- Thermal Expansion Tank