

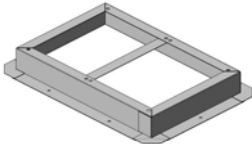


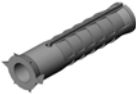
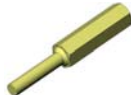


Installation Guide

VT4-TS-ADAPT (for N-0841MC-DV only)

This adapter fits directly onto the Noritz VT4-TS-(5, 8, 14, 27) Vent Termination for installations on N-0841MC-DV model water heaters. The following parts are supplied in the adapter kit. Check for any missing items before starting the installation. For detailed information regarding the installation of the VT4-TS Vent Termination, please refer to the Installation Manual.

Included Parts

Parts	Shape	Quantity
Wall Spacer		1
Vent Adapter		1
4 x 16 Rounded Screw		4
Wall Anchor		4
Extension Screw		4

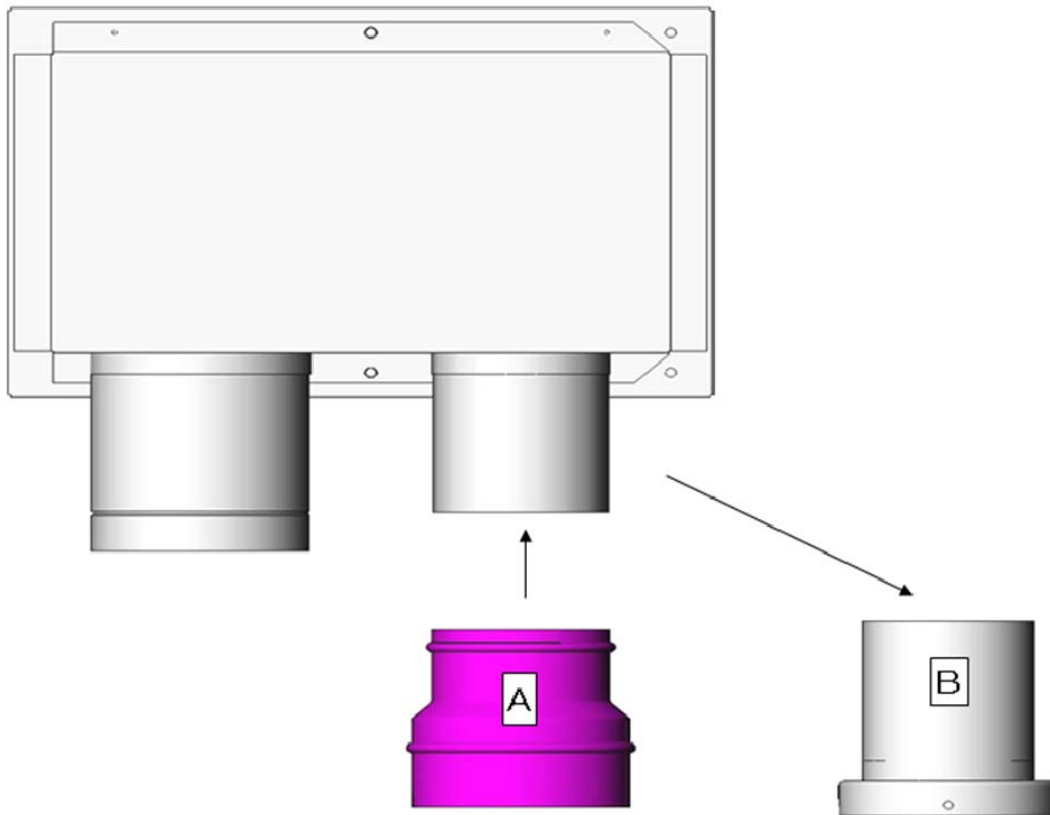
NOTE: The use of this part will change the range of wall thickness that the vent termination can pass through. Please review the chart below to verify the changes before proceeding with the installation.

Model Name	Wall Thickness
VT-4-TS-5	50mm(2") to 90mm(3.5")
VT-4-TS-8	90mm(3.5") to 170mm(6.7")
VT-4-TS-14	170mm(6.7") to 330mm(13")
VT-4-TS-27	330mm(13") to 650mm(25.6")

Installation Procedures

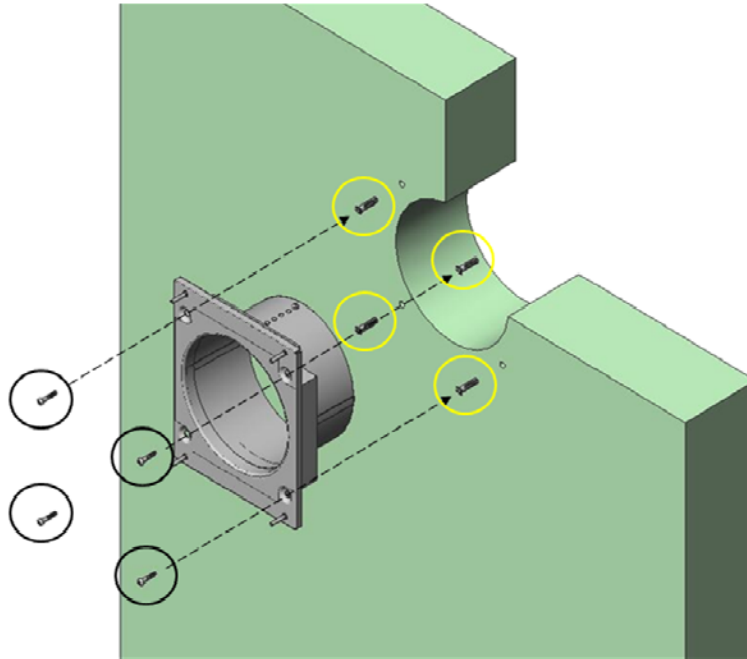
- 1) Replace the original vent termination adapter piece with the new fitting that was provided with the Vent Termination Adapter Kit by replacing **Part B** with **Part A**.

NOTE: Use caution when inserting the new adapter to the termination. The o-ring on the fitting might get damaged if excessive force is used.

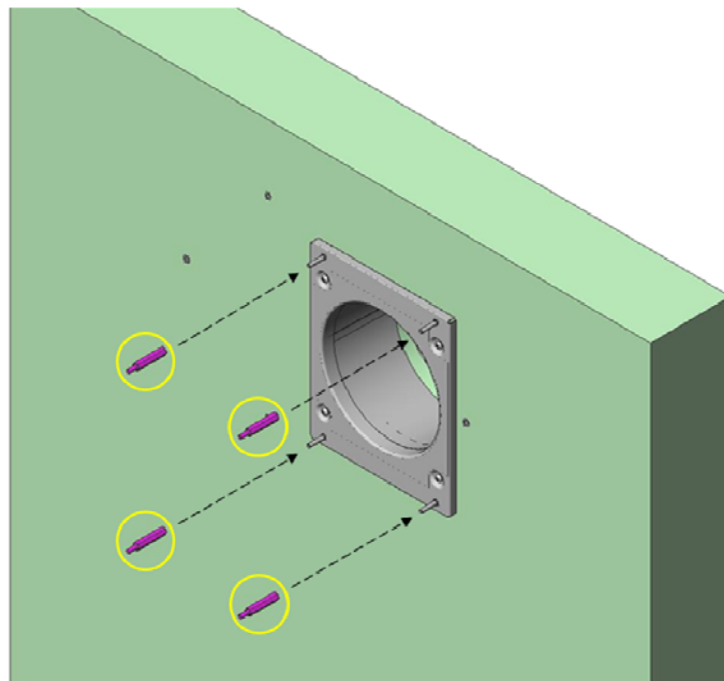


2) Drill 4 holes for inserting the wall anchors into the wall. Once anchors are in place, use the 4 x 16 Rounded Screws provided with the Vent Termination Kit to secure the sleeve to the wall.

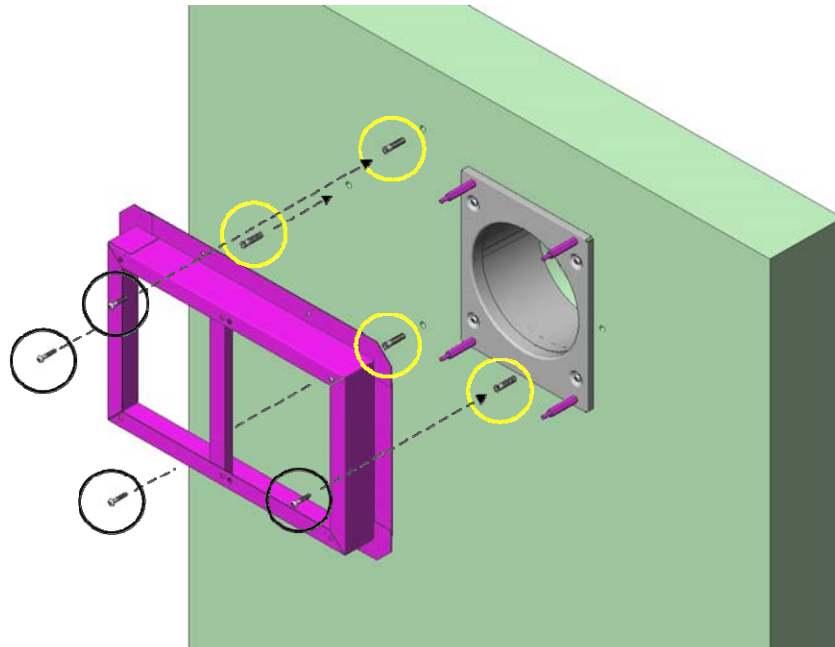
NOTE: Do not over tighten the screws to the wall as it may cause the sleeve to become deformed. If the part becomes bent or deformed, please loosen the screws so that the sleeve sits flat against the wall.



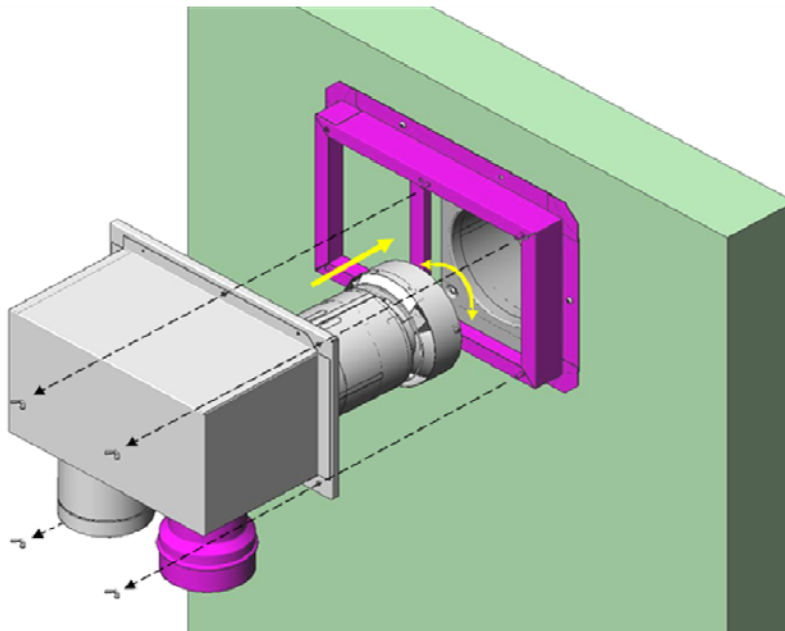
3) Install the extension screws onto the attachments provided on the sleeve as shown below. Make sure that these screws are securely fastened.



- 4) Begin the installation of the wall spacer to the sleeve by drilling 4 holes for inserting wall anchors as shown below. Proceed in using the 4 x 16 Rounded Screws provided with the Vent Termination Adapter Kit to secure the part to the wall.



- 5) Complete the installation by inserting the VT4-TS Vent Termination into the sleeve and attaching it to the four extension screws on the wall spacer. If the termination is obstructed, gently insert it while shifting it back and forth until it is properly in place. Fasten the four wing nuts to the extension screws to secure the termination to the wall spacer.



- 6) For procedures on properly sealing the fittings on the Vent Termination to the intake and exhaust ports on the water heater, please refer to the VT4-TS Installation Manual.