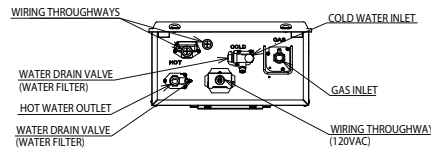
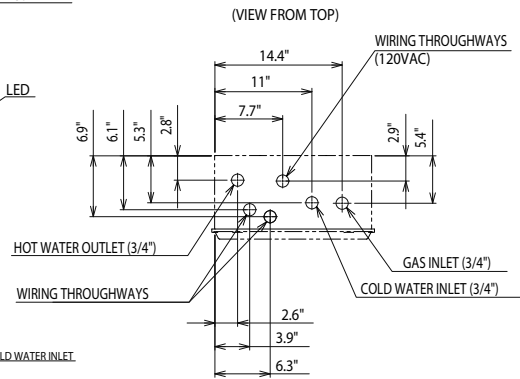
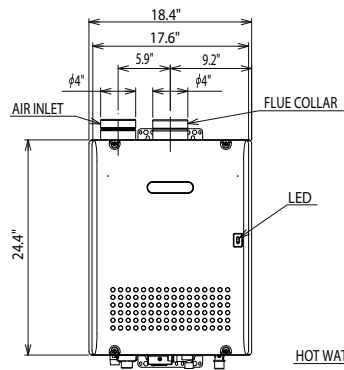
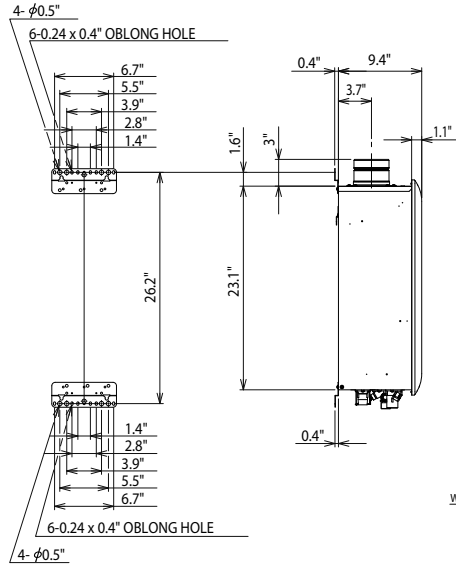
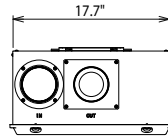




HEIGHT OF EACH FITTING FROM BOTTOM OF CASE

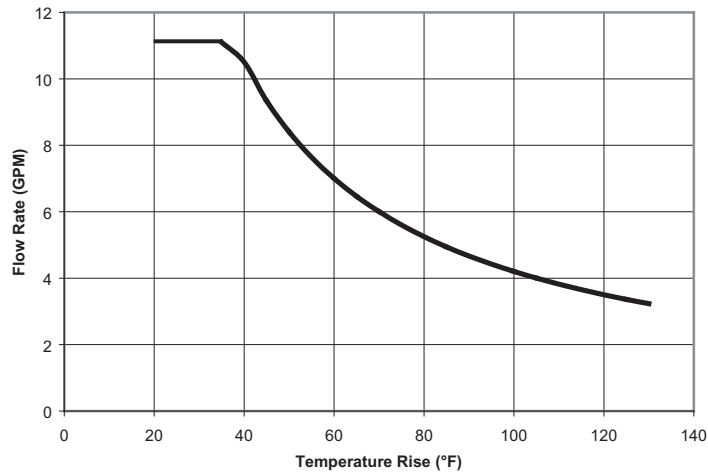
	N-0931M-DV-ASME
HOT WATER OUTLET	1.7"
COLD WATER INLET	2.2"
GAS INLET	2.2"



Item	Specification
Model Name	N-0931M-DV-ASME
Type	Installation: Indoor, Wall Hung Air Supply/Exhaust: Direct Vent (Sealed Combustion)
Ignition	Direct Ignition
Operating Water Pressure	15 - 150 PSI
Minimum Flow Rate	0.5 GPM
Gas Supply Pressure	NG : 5.0" - 10.5" LP : 10.5" - 14.0"
Dimensions	24.4"(Height) x 18.4"(Width) x 9.4"(Depth)
Weight	62 (pounds)
Water Holding Capacity	0.3 Gallon
Connection Sizes	Water Inlet: 3/4" Hot Water Outlet: 3/4" Gas Inlet: 3/4"
Power	Supply: 120VAC(60Hz) Consumption: NG: 115W LP: 120W Freeze Prevention 250W
Material	Casing: Stainless Steel Flue Collar: Stainless Steel Heat Exchanger: Copper Sheeting, Copper Tubing
Safety Devices	Flame Rod, Thermal Fuse, Lightning Protection Device (ZNR), Overheat Prevention Device, Freezing Prevention Device, Fan Rotation Detector
Included Accessories	Remote Controller, Remote Controller Cord, Anchoring Screws
Optional Accessories	Isolation Valves (#IK-WV-5), Pipe Cover (#PC-3S), ScaleShield (#SS-HB-2), Quick-Connect Cable (#QC-1M), Multi-System Controller (SC-201-6M (-12M, -24M))

Model N-0931M-DV-ASME Product Performance

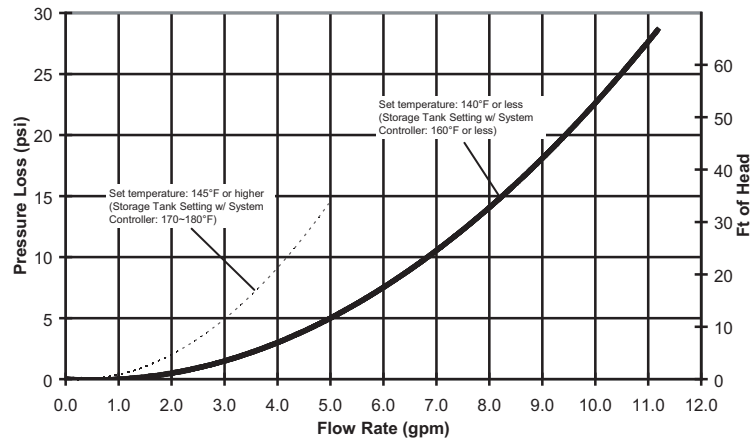
Flow Rates



Temperature Rise (°F)	20	30	40	45	50	60	70	80	90	100	110	120	130
Flow Rate (GPM)	11.1	11.1	10.5	9.3	8.4	7.0	6.0	5.3	4.7	4.2	3.8	3.5	3.2

*For peak flow rates in shaded areas, contact Noritz for proper setting.

Pressure Loss



Item		Maximum Performance	Minimum Performance
Gas Consumption	NG	250,000 btuh	11,000 btuh
	LP	250,000 btuh	11,000 btuh
Thermal Efficiency		84%	
Hot Water Capacity	35°F Rise	11.1 Gal/min.	
	45°F Rise	9.3 Gal/min.	
	77°F Rise	5.5 Gal/min.	
	100°F Rise	4.2 Gal/min.	
Capacity Range		0.5 - 11.1 Gal/min.	
Temperature Settings		100-150°F (In 5°F intervals), 160, 170, 180°F (14 Options)	
Default Temperature Options		120, 130, 140, 180°F (Default is 120°F)	
Features		Quick-Connect (2 units), Multi-System (Up to 24 units), Pump Control, Temperature Lockout, High Elevation Adjustment	
Warranty		5 years Heat Exchanger / 5 years Parts (12/5- Residential)	
Approvals		CSA, UPC, NSF, ASME, Low NOx Approved By SCAQMD, Suitable for Installation in a Manufactured (Mobile) Home	

Noritz America reserves the right to discontinue, or change at any time, the designs and/or specifications of its products without notice.