

# Model NR98 Series Residential Tankless Water Heater Specification Sheet

- **Standard Input** - gas consumption ranges from 12,000 BTU/h to 199,900 BTU/h
- **Capacity Range** - flow rates from 0.5 gpm up to 9.8 gpm
- **Compact Design** - ANSI Z21.10.3/CSA 4.3 certified design that can be wall-mounted indoors (-SV and -DVC models only) or installed outdoors with an -OD model
- **Durable Steel Casing with Polyester Coating**
- **Heat Exchanger** - manufactured with commercial grade copper, 25% thicker piping than standard models
- **Venting Options** - available in Power Vent (-SV), Outdoor (-OD), or Concentric Direct Vent (-DVC) model that requires either 4" Category III or 5" / 3" Noritz concentric stainless steel pipe
- **Direct Electronic Ignition**
- **Quick-Connect** - two identical units can be linked together by using the optional Quick Connect Cord for twice the hot water capacity
- **Energy Factor** - 0.83 (NG) 0.83 (LP) for SV model  
0.82 (NG) 0.86 (LP) for OD model  
0.82 (NG) 0.84 (LP) for DVC model
- **Thermal Efficiency** - 84% efficient for use with natural gas or propane
- **Temperature Controls** - includes remote thermostat that can precisely adjust the output temperature from 100°F to 180°F
- **Power Cord Installation Kit** - 6' power cord is included with -SV and -DVC models (assembly required for SV models)
- **Safety Devices** - Flame Sensor, Overheat Prevention Device, Lightning Protection Device, Freeze Protection
- **Additional Features** - Temperature Lockout, High Elevation Adjustment
- **12-Year\* Limited Heat Exchanger Warranty for Residential Use**
- **5-Year Limited Parts Warranty**
- **1-Year Reasonable Labor**
- **Approvals** - CSA, UPC\*\*, NSF, Low NOx Approved By SCAQMD (Rule 1146.2), Suitable for Installation in a Manufactured (Mobile) Home\*\*\*



This model is eligible for the Federal tax credit of up to 10% of the water heater and installation costs (up to \$300) when installed in a residence between 1/1/2011 through 12/31/2011

<p><b>Model</b></p> <p>NR98 - _____</p> <p><input type="checkbox"/> SV (Standard Vent)</p> <p><input type="checkbox"/> OD (Outdoor Vent)</p> <p><input type="checkbox"/> DVC (Concentric Direct Vent)</p> <p><input type="checkbox"/> DVC-CA (Concentric Direct Vent for Canada)</p> <p><b>Accessories</b></p> <p><input type="checkbox"/> Outdoor Vent Cap for SV Model (#VC-4-1)</p> <p><input type="checkbox"/> Isolator Valves (#IK-WV-7)</p> <p><input type="checkbox"/> Pipe Cover for SV/OD Model (#PC-2S)</p> <p><input type="checkbox"/> Pipe Cover for DVC Model (#PC-5S)</p> <p><input type="checkbox"/> Recess Box for OD Model (#RB-700)</p> <p><input type="checkbox"/> Quick Connect Cord (#QC-1)</p>
--

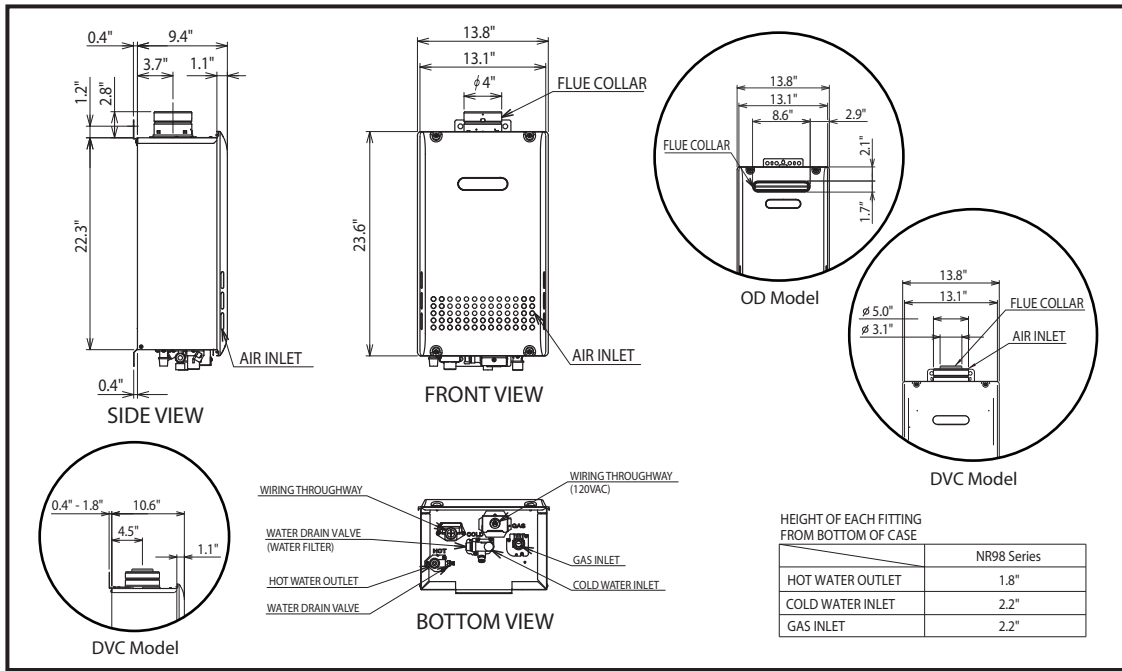


\* Heat Exchanger warranty is maintained at 12 years or 6500 operational hours, whichever occurs first, when used in a single family dwelling in conjunction with a controlled recirculation system (an aquastat being the minimum pump control requirement) in accordance with the Installation Manual. Refer to the Noritz Limited Warranty for complete coverage details

\*\* This product complies with California AB 1953 Low Lead Law

\*\*\* Manufactured (Mobile) Home approval is valid for OD or DVC models only

## Dimensions

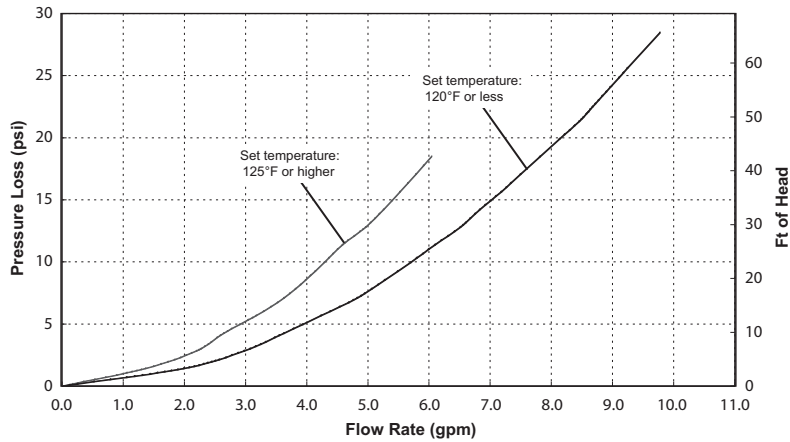


## Flow Rates

Temperature Rise (°F)	30	40	45	50	60	70	80	90	100
Flow Rate (GPM)	9.8	8.4	7.5	6.7	5.6	4.8	4.2	3.7	3.4

*For peak flow rates in shaded areas, contact Noritz for proper setting*

## Pressure Loss



## Specifications

Model Name		NR98-SV	NR98-OD	NR98-DVC
Weight		47 (pounds)		
Water Holding Capacity		0.2 Gallon		
Connection Sizes	Water Inlet	3/4"		
	Hot Water Outlet	3/4"		
	Gas Inlet	3/4"		
Power	Supply	120VAC (60Hz), less than 2 amperes		
	Consumption	NG: 62W LP: 75W Freeze Prevention 145W	NG: 64W LP: 77W Freeze Prevention 145W	NG: 85W LP: 100W Freeze Prevention 161W
Freeze Protection		Indoor: -30°F Outdoor: -4°F	Outdoor: -4°F	Indoor: -30°F
Temperature Settings		100-150°F (In 5°F intervals), 160°F, 170°F, *180°F (14 Options)		
Default Temperature Options		120, 130, 140, *180°F (Default is 120°F)		

\*181.4°F actual output temperature