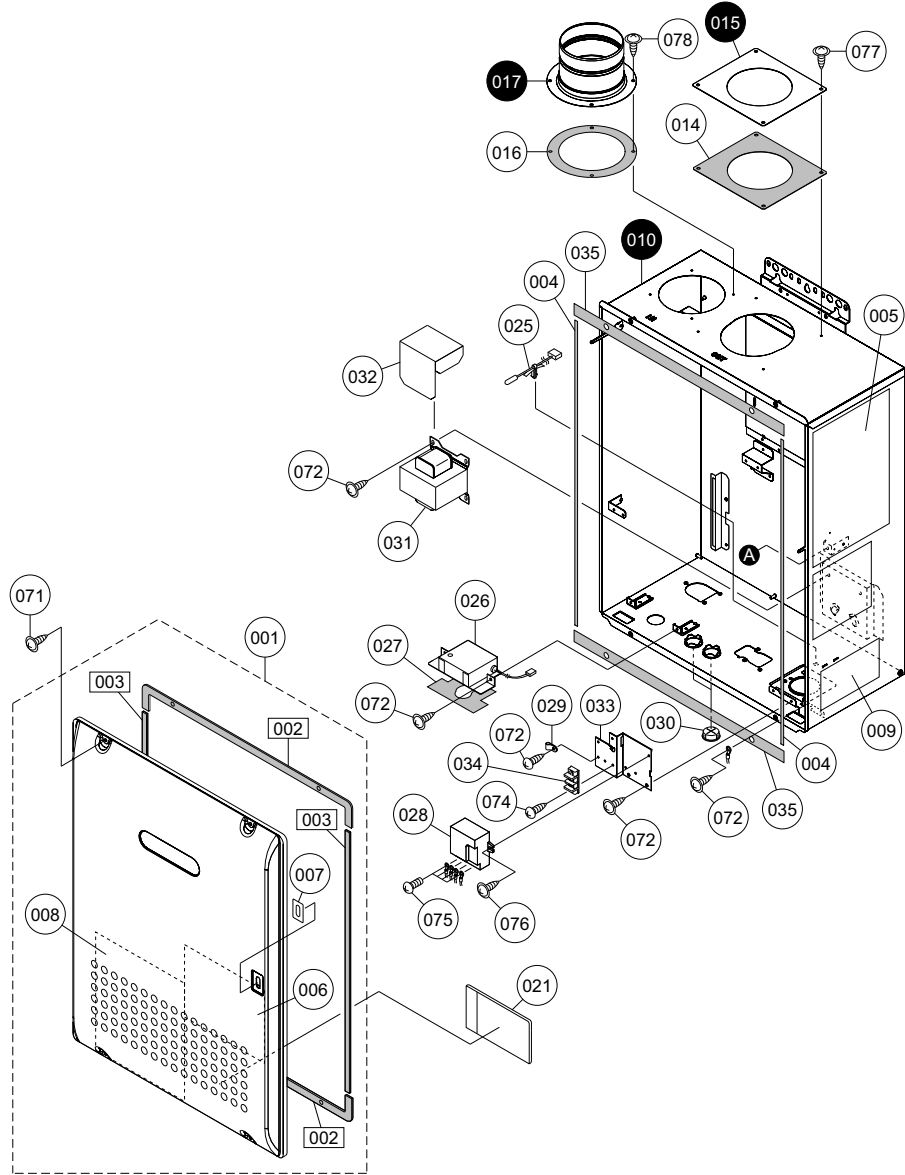
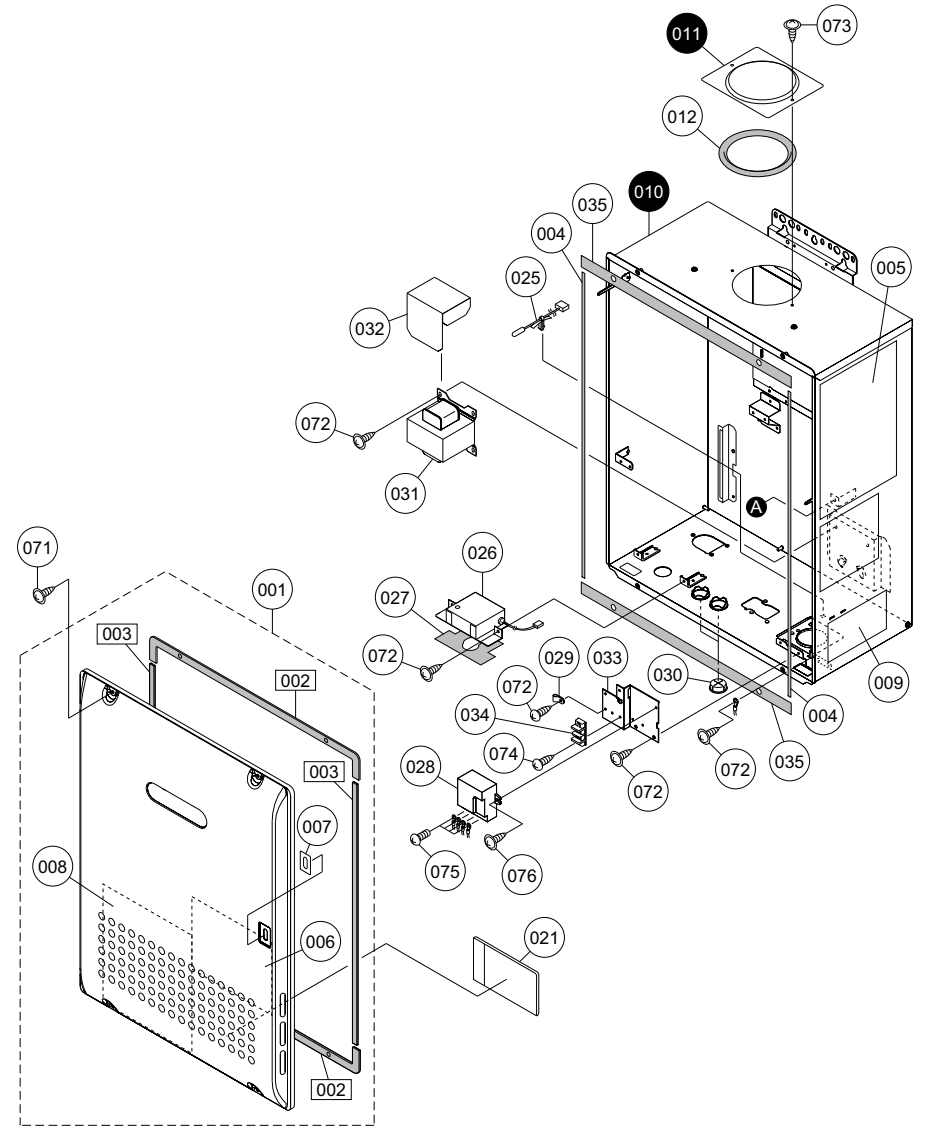


### External outfitting N-0931M-DV-ASME



### External outfitting N-0931M-ASME

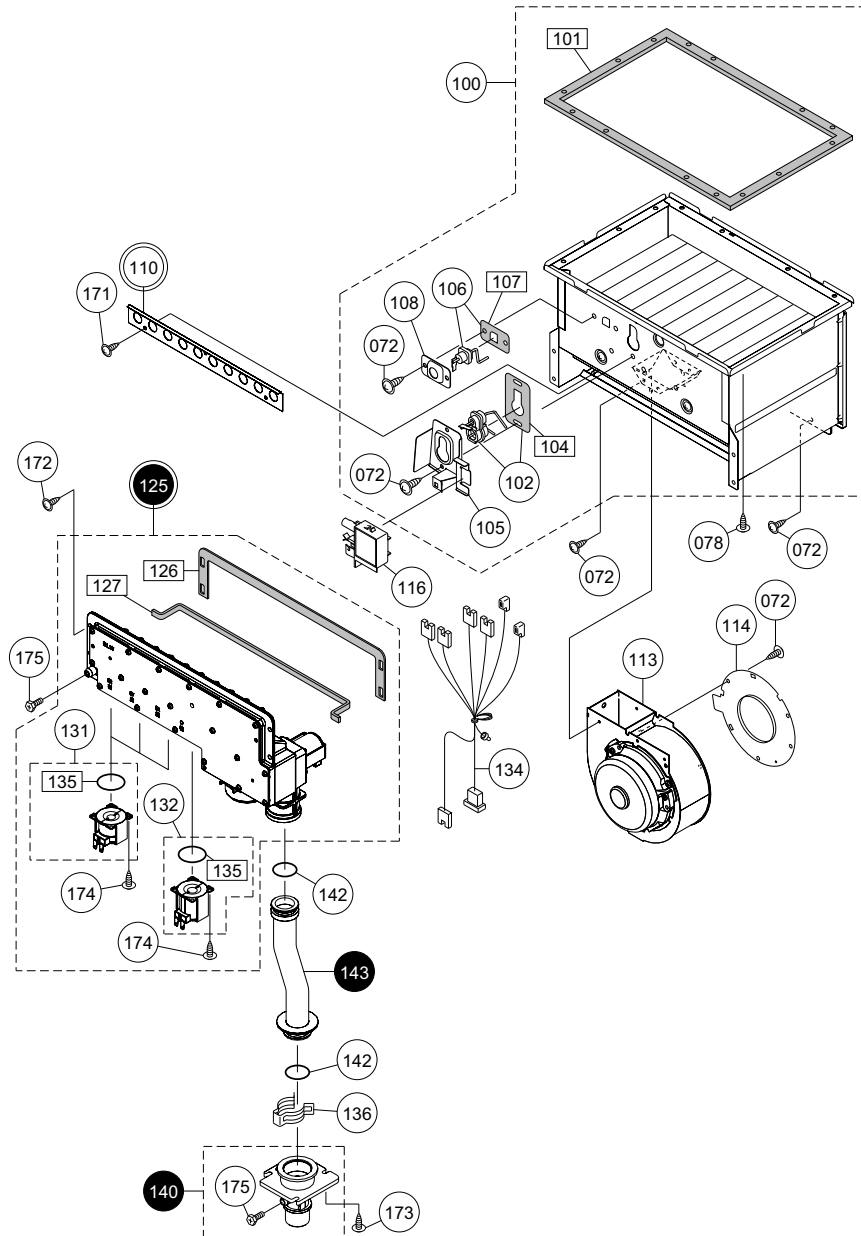


## External outfitting N-0931M-DV-ASME,0931M-ASME

Part Nos.	Part Names	Order Nos.	Q'ty/unit
001	N0931M-DV-ASME Front-A SET-AS N0931M-ASME Front-A SET-AS	SKD7174 SKD7175	1<0931M-DV-ASME> 1<0931M-ASME>
002	Front packing S AAP	AAPL015	2
003	Front packing L AAP	AAPL017	2
004	Guard tape 590 EMT	EMTA009	2
005	Caution label ENG ELV	ELVK003	1
006	Caution label FRE ELV	ELVK006	1
007	Lamp seal plate ENK	ENK002	1
008	Connection diagram label ELW	ELWK002	1
009	Rating plate 2 DV(FF) EMT	EMTK010	1<0931M-DV-ASME>
	Rating plate 2 H EMT	EMTK004	1<0931M-ASME>
010	Case SET DV EMT	EMTA021	1<0931M-DV-ASME>
	Case SET EMT	EMTA001	1<0931M-ASME>
011	Case top cover EMT	EMTA010	1<0931M-ASME>
012	Exhaust cylinder packing EDL	EDLL002	1<0931M-ASME>
014	Exhaust cover packing DCG	DCGL014	1<0931M-DV-ASME>
015	Exhaust cover FF100 EMT	EMTF010	1<0931M-DV-ASME>
016	Intake pipe packing EHK	EHLK084	1<0931M-DV-ASME>
017	Intake pipe ELE	ELEF001	1<0931M-DV-ASME>
021	Parts list label set EMT	EMTK031	1
025	Air thermistor BWC	BWCH003	1
026	Junction box set EMW	EMWA014	1
027	Junction box packing EMW	EMWL002	1
028	Current leakage safety device DTJ	DTJJ015	1
029	Nylon clamp HP-4N (NK-4N)	7287909	1
030	Grommet CXP	CXPA026	2
031	Transformer EAU	EAUJ011	1
032	Transformer cover EJS	EJSA021	1
033	Mounting plate for terminal block DZT	DZTA006	1
034	Conduit 90-2 CCP	CCPJ028	1
035	Guard packing H EMT	EMTA008	2
071	Cross recessed truss type3 EVERTIGHT tapping screw with PW 4X12		
072	Cross recessed round-head collar N-tapping screw 4X8		
073	Cross & straight recessed truss type3 S TIGHT tapping screw 4X10		<0931M-ASME>
074	Cross recessed round-head N-tapping screw 4X12		
075	Cross recessed bind machine screw M3.5X6		
076	Cross recessed round-head collar N-tapping screw 4X12		
077	Cross recessed truss N-tapping screw with PW 4X12		<0931M-DV-ASME>
078	Cross recessed round-head collar N-tapping screw 4X10		

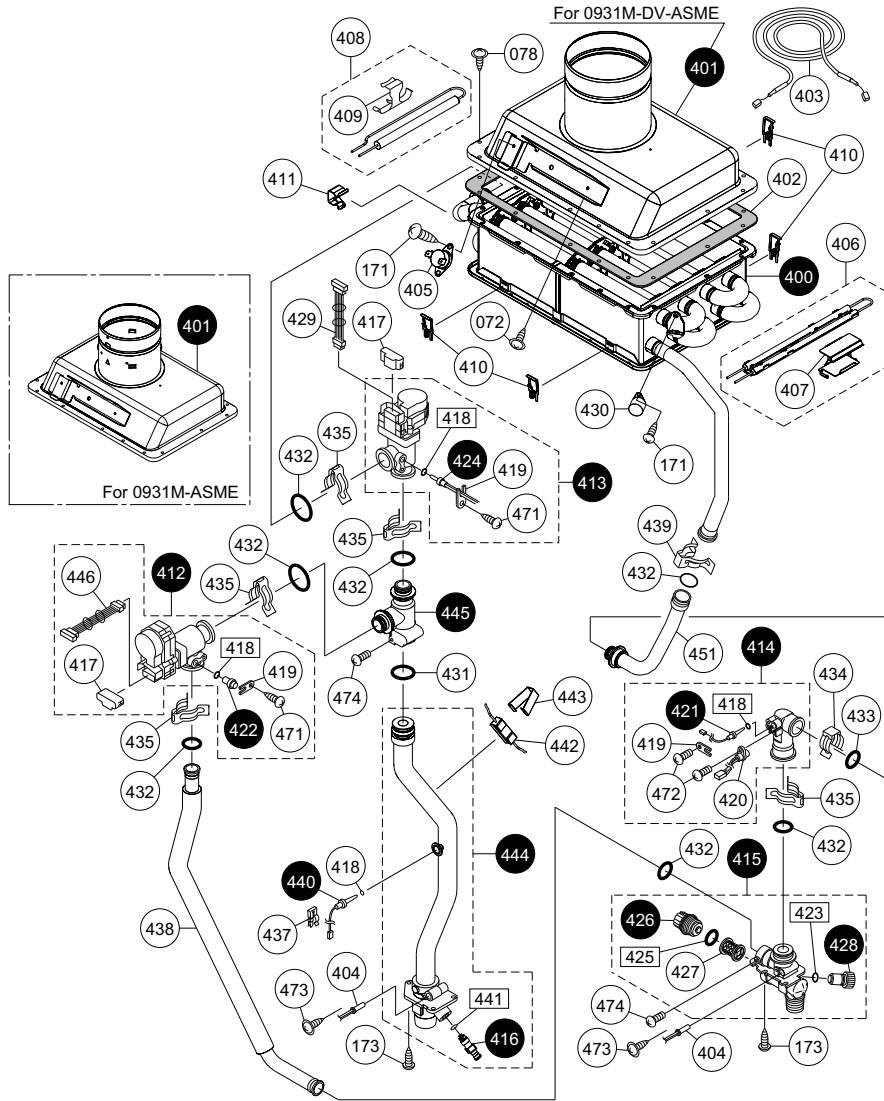
## Combustion unit and gas route N-0931M-DV-ASME,0931M-ASME

## Combustion unit and gas route N-0931M-DV-ASME,0931M-ASME

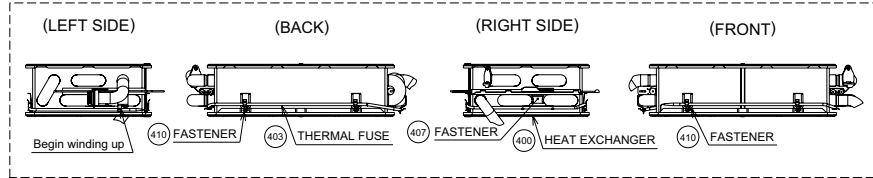


Part Nos.	Part Names	Order Nos.	Q'ty/unit
100	Combustion tube set ELW SET-V	SKC7842	1
101	Suction air joint packing ELW	ELWL001	1
102	Ignition plug ELV & packing EHK SETV	SKC7448	1
104	Plug packing H EHK	EHL002	1
105	Mounting plate for Plug H EGL	EGLC035	1
106	Flame rod ELV & packing DJP SETV	SKC7449	1
107	Sensor packing DJP	DJPL004	1
108	Sensor fixing plate DJP	DJPC012	1
110	Main damper 10-12H ELW	ELWC054	1<0931M-DV-ASME LPG>
	Main damper 7-14O ELW	ELWC053	1<0931M-DV-ASME NGA>
	Main damper 9-14O ELW	ELWC051	1<0931M-ASME>
113	Fan moter 100 ELW(ENG)SET-AS	SKC7683	1
114	Bell-mouth φ52 CRU	CRUC044	1<0931M-DV-ASME>
	Bell-mouth φ48 CRU	CRUC046	1<0931M-ASME>
116	Igniter EHE	EHEJ003	1
125	Gas mech. manifold 22 ELW SET-AS	SKC7845	1<0931M-DV-ASME LPG>
	Gas mech. manifold 30 ELW SET-AS	SKC7846	1<0931M-ASME LPG>
	Gas mech. manifold 29 ELW SET-AS	SKC7844	1<0931M-DV-ASME NGA>
126	Manifold seal packing top ELW	ELWL003	1
127	Manifold seal packing bottom ELV	ELVL007	1
131	Solenoid SO9L EBT SET-V	SBP7501	3
132	Solenoid S16 CRU SET-V	SBB7213	1
134	Gas mech. harness ELW	ELWJ018	1
135	O-ring JASO 2030 type 1	SAA6044	4
136	Quick fastener 25.4	6340601	1
140	Gas fitting 20A SET ELW	ELWE021	1
142	O-ring P25.5	SAB1512	2
143	Gas pipe ELW	ELWE026	1
171	Cross recessed round-head N-tapping screw 4X8		
172	Cross recessed round-head type3 EVERTIGHT tapping screw 5X16		
173	Cross recessed round-head collar type3 EVERTIGHT tapping screw 4X12		
174	Cross recessed round-head SPAKmachine screw with guide M4X12		
175	Cross recessed hexagon head machine screw M4X8		

# Hot-water feed route N-0931M-DV-ASME,0931M-ASME



(Thermal fuse rounding procedure)

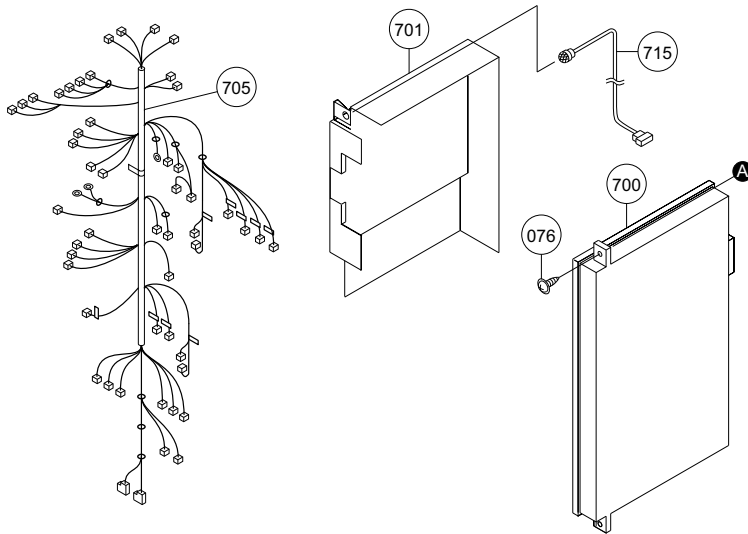


# Hot-water feed route N-0931M-DV-ASME,0931M-ASME

Part Nos.	Part Names	Order Nos.	Q'ty/unit
400	Heat exchanger set EMT SET-AS	SKD7159	1
401	Exhaust box set DV EMT	EMTF021	1<0931M-DV-ASME>
	Exhaust box set EMT	EMTF001	1<0931M-ASME>
402	Exhaust joint packing EMT	EMTL001	1
403	Thermal fuse DTX label ELV SET-V	SKC7715	1
404	Freeze preventive heater 3 BGD	BGDH002	2
405	Thermostat BHV	BHVH002	1
406	Freeze preventive heater EBT ELV SETV	SKC7454	1
407	Heater fastener ELV	ELVH018	1
408	Freeze preventive heater QCRP ELW SETV	SKC7850	1
409	Heater fastener ELW	ELWH002	1
410	Thermal fuse fastener EGL	EGLH002	4
411	Thermal fuse fastener 16 CMN	CMNH003	1
412	Water flow servo set 1 DZT	DZTD010	1
413	Water flow servo set 2 DZT	DZTD011	1
414	Water flow sensor set 3 DUV	DUVD019	1
415	Water inlet fitting 20A set EJM	EJMD002	1
416	Drain cock CRU	CRUD003	1
417	Waterproof cover CZL	CZLD041	2
418	O-ring P4C	1323709	4
419	Thermistor holding plate ALS	ALSD088	3
420	Water outlet magnetic sensor BWC	BWCD090	1
421	Water inlet thermistor-300 BWC	BWCD097	1
422	Shut-off cock AXG	AXGD089	1
423	Hot-water resistant O-ring P9	SAD6635	1
424	Heat exchanger thermistor-300 BWC	BWCD098	1
425	O-ring 16DF BRQ	BRQL008	1
426	Water filter cover DTJ	DTJD006	1
427	Water filter (SUS) EGB	EGBD032	1
428	QMF safety valve A(S)	SAA2811	1
429	Conduit 86 DZT	DZTJ008	1
430	Remaining flame safety device 94 ELV	ELVH002	1
431	O-ring P22C	7573308	1
432	O-ring P16C	3223302	7
433	O-ring P12.5C	3359808	1
434	Quick fastener 12.7	6340202	1
435	Quick fastener 16A	6340300	5
437	Sensor fastener CRU	CRUD055	1
438	Bypass pipe ELW	ELWD001	1
439	Quick fastener 16-25	SAD6593	1
440	Hot-water thermistor-300 BWC	BWCD096	1
441	Hot-water resistant O-ring P3	SAD6633	1
442	Freeze preventive heater 2 BGD	BGDH005	1
443	Heater fastener 22.2 ELV	ELVL011	1
444	Hot-water feed pipe ELW	ELWD010	1
445	Mixing box ELW	ELWD005	1
446	Servo motor cable conduit (86) DZT	DZTJ009	1
451	Water inlet pipe EMT	EMTD002	1
471	Cross recessed round-head P TIGHT screw 4X10		
472	Cross recessed round-head P TIGHT screw 4X10		
473	Cross&straight recessed round-head collar type3 S TIGHT tapping screw 4X8		
474	Cross recessed round-head machine screw M4X8		

## Electronic control unit, Remote controller and Attached set N-0931M-DV-ASME,0931M-ASME

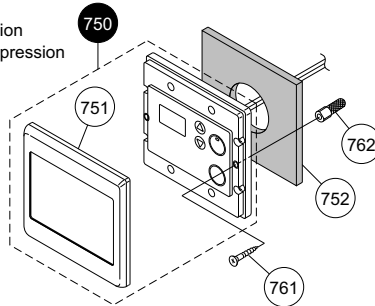
Electronic control unit



### Optional

Remote controller  
RC-7649M-USA

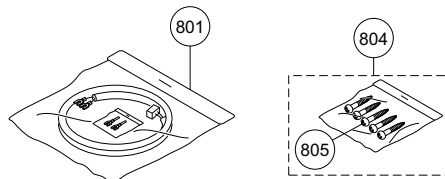
(Temperature: °F Expression  
Water Volume: Gallon Expression)



RC-7650M-ENG (For Canada)

(Temperature: °C Expression  
Water Volume: Liter Expression)

Attached set



<Special part>

Special part	Special part no.
Owner's guide	888
Installation manual	889

※ To request a French version of the Owner's guide or Installation manual, contact Noritz America.

## Electronic control unit, Remote controller and Attached set N-0931M-DV-ASME,0931M-ASME

Part Nos.	Part Names	Order Nos.	Q'ty/unit
700	Relay case ELW SET-AS	SHA7921	1
701	Relay case cover DEK	DEKA014	1
705	Harness H ELW	ELWJ002	1
715	Lamp cable conduit CRP	CRPJ014	1
750	RC-7649M body USA QME RC-7650M body ENG QXU	QMEJ007 QXUJ003	1 1<For Canada>
751	M Dressed frame body QME	QMEA003	1
752	Wall packing QHU	QHUA115	1
761	Cross recessed round wood screw 4.1X25		
762	Oar plug 6X25		
800	N-0931M-ASME packing P set-V	SKD7160	1
801	Remote controller cord S SET EAU	EAUM001	1
804	Screw SET(W)	SAB2753	1
805	Cross recessed round-head type 1 tapping screw 5X35		
888	Owner's guide N-0931M-DV-ASME	SAR8710	1<0931M-DV-ASME>
889	Owner's guide N-0931M-ASME Installation manual N-0931M-DV-ASME Installation manual N-0931M-ASME	SAR8635 SAR8711 SAR8709	1<0931M-ASME> 1<0931M-DV-ASME> 1<0931M-ASME>